



## USB Fingerprint Standalone Access Controller



D1

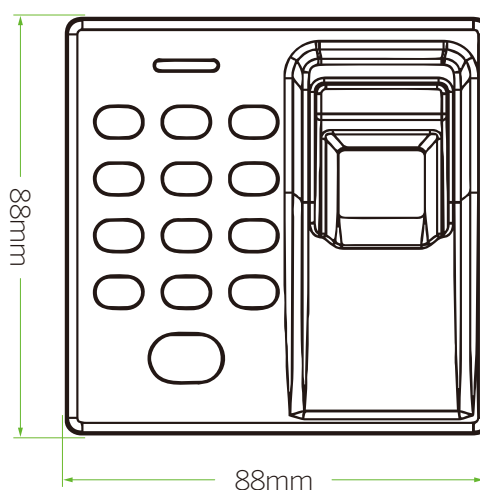
### Description

- Built in USB to upload and download
- Support 2 groups of administrators to register and delete
- Alarm Function: Tamper device, Force to open door, Open door overtime
- Alert Tone: Buzzer
- LED: Red and Blue

### Specifications

Hardware Platform	ARM9
Card Type	Finger+RFID+Password
User Capacity	500
Proximity Card Reader	EM 125HKz
Operating Voltage	DC12~24V
Wiegand Interface	Wiegand 26bits output
U disk Function	Support upload and download
Dimensions	L88 x W88 x H30 (mm)

### Dimensions(mm)



S4A Industrial Co., Limited

Address: 6th Floor, Haotai Industrial Zone, Minzhi road, Longhua District, Shenzhen. CN 518131

Tel: +86 755 29450011

[www.s4a-access.com](http://www.s4a-access.com) / Email: [sales@s4a-access.com](mailto:sales@s4a-access.com)  
Mob/Whatsapp/Wechat/Viber: +86 134 1050 0721